

8

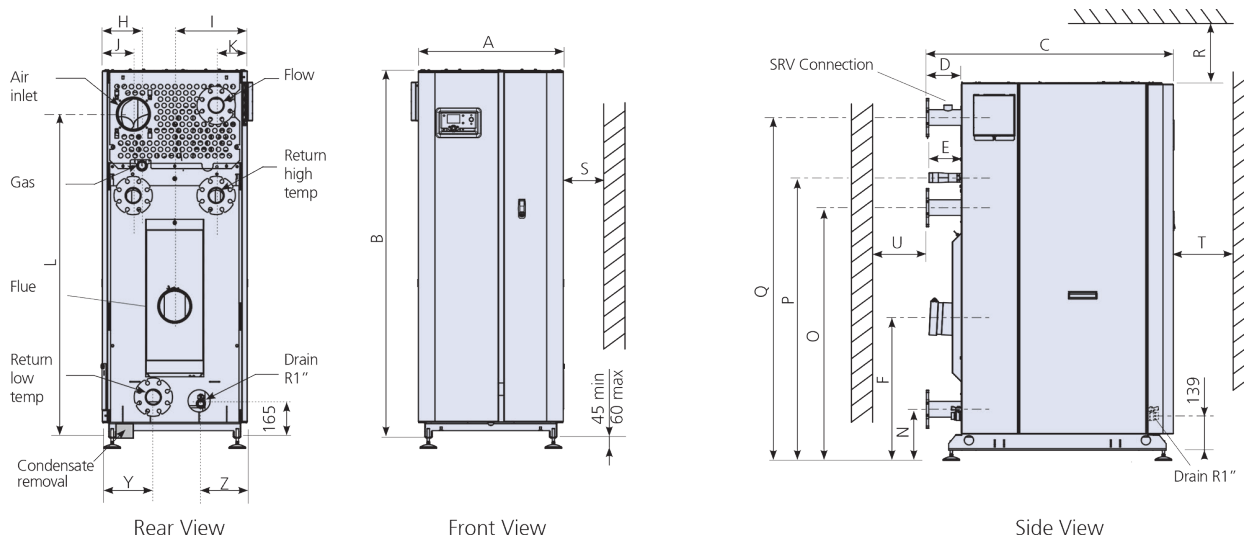
127-478

Varmax single boiler dimensions

MODELS

kW
OUTPUT

Single boiler models 120, 140, 180, 225, 275, 320, 390, 450



Note: All dimensions in mm unless otherwise stated.

		Varmax models								
Ref.		Units	120	140	180	225	275	320	390	450
A	Boiler width	mm	734	734	734	734	812	812	912	912
B	Boiler height	mm	1530	1530	1780	1780	1877	1877	2023	2023
C	Boiler depth	mm	1189	1189	1218	1218	1341	1341	1392	1392
D	Flow and return connection depth	mm	148	148	169	169	169	169	168	168
E	Gas connection depth	mm	103	103	150	150	109	109	92	92
F	Flue centreline height	mm	510	510	630	630	680	680	750	750
H	Gas connection centreline	mm	115	115	192	192	241	241	274	274
I	Flue connection centreline	mm	350	350	350	350	399	399	449	449
J	Air inlet centreline	mm	150	150	150	150	200	200	209	209
K	Flow and high temperature return centreline	mm	166	166	150	150	179	179	192	192
L	Air inlet centreline height	mm	1256	1256	1564	1564	1672	1672	1874	1874
N	Low temperature return centreline height	mm	182	182	197	197	196	196	206	206
O	High temperature return centreline height	mm	926	926	1171	1171	1265	1265	1402	1402
P	Gas centreline height	mm	1062	1062	1315	1315	1413	1413	1577	1577
Q	Flow centreline height	mm	1298	1298	1606	1606	1661	1661	1933	1933
R	Clearance top (for burner removal)	mm	150	150	320	320	263	263	427	427
S	Clearance side (left and right)	mm	450	450	450	450	450	450	450	450
T	Clearance front	mm	500	500	500	500	600	600	700	700
U	Clearance rear	mm	500	500	500	500	500	500	500	500
Y	Low temperature return centreline	mm	250	250	247	247	276	276	289	289
Z	Drain valve centreline	mm	237	237	224	224	270	270	283	283
	Flue connection diameter	mm	150	150	150	150	180	180	200	200
	Air inlet diameter	mm	150	150	150	150	180	180	180	180
	Gas connection Nat Gas	male	R 1 1/4"	R 1 1/4"	R 1 1/2"	R 1 1/2"	R 2"	R 2"	R 2"	R 2"
	Gas connection LPG	male	R 1 1/4"	R 1 1/4"	R 1 1/2"	R 1 1/2"	R 2"	R 2"	N/A	N/A
	Flow and return connection - flanges PN16	male/flange	R 2"	R 2"	DN65 / PN16	DN65 / PN16	DN80 / PN16	DN80 / PN16	DN80 / PN16	DN80 / PN16
	Safety relief valve (SRV) connection	female	R1"	R1"	R1"	R1"	R1 1/4"	R1 1/4"	R1 1/4"	R1 1/4"