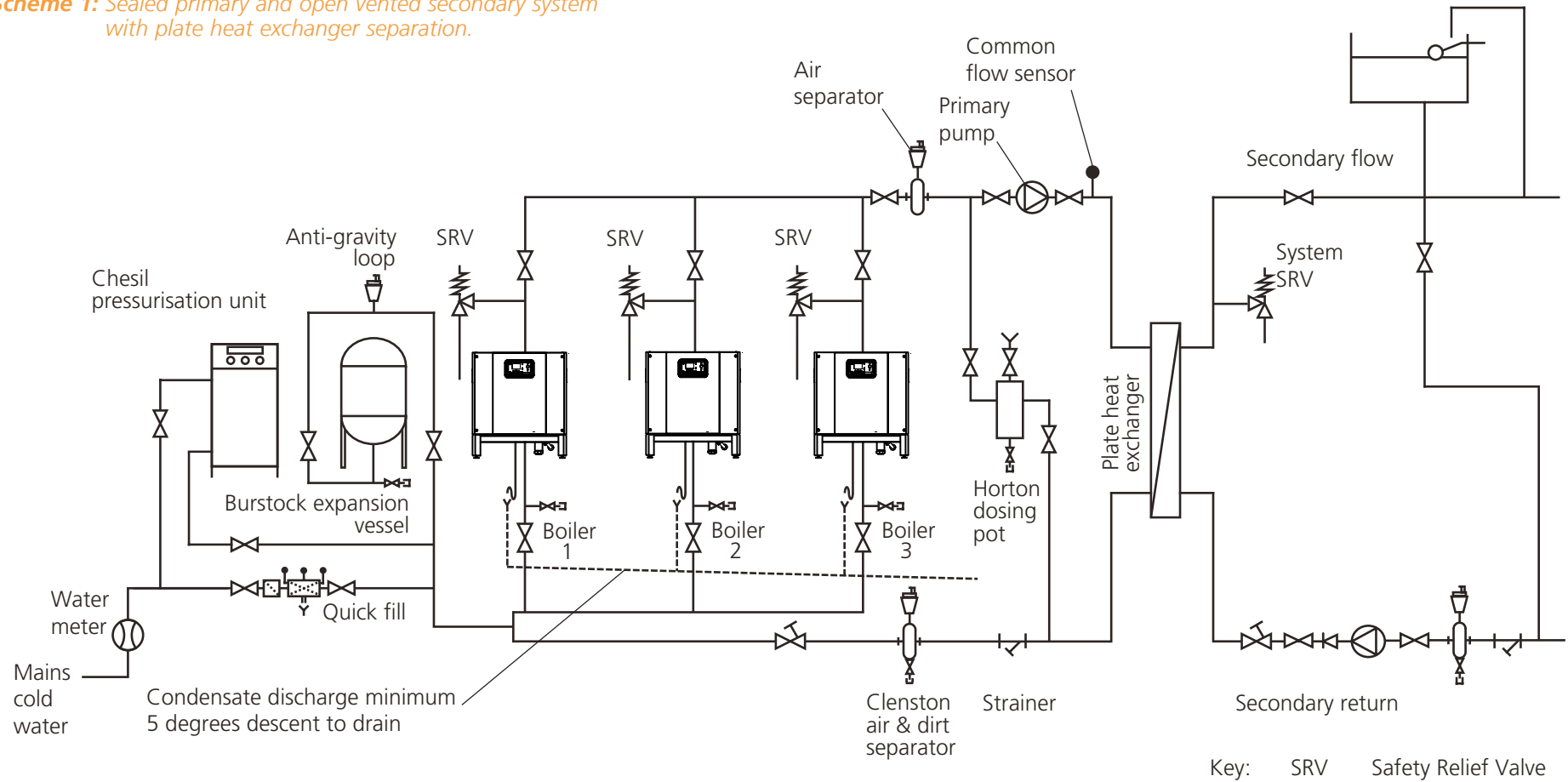


Hydraulic scheme 1

Scheme 1: Sealed primary and open vented secondary system with plate heat exchanger separation.



Note: These schematics have been provided for reference only.

