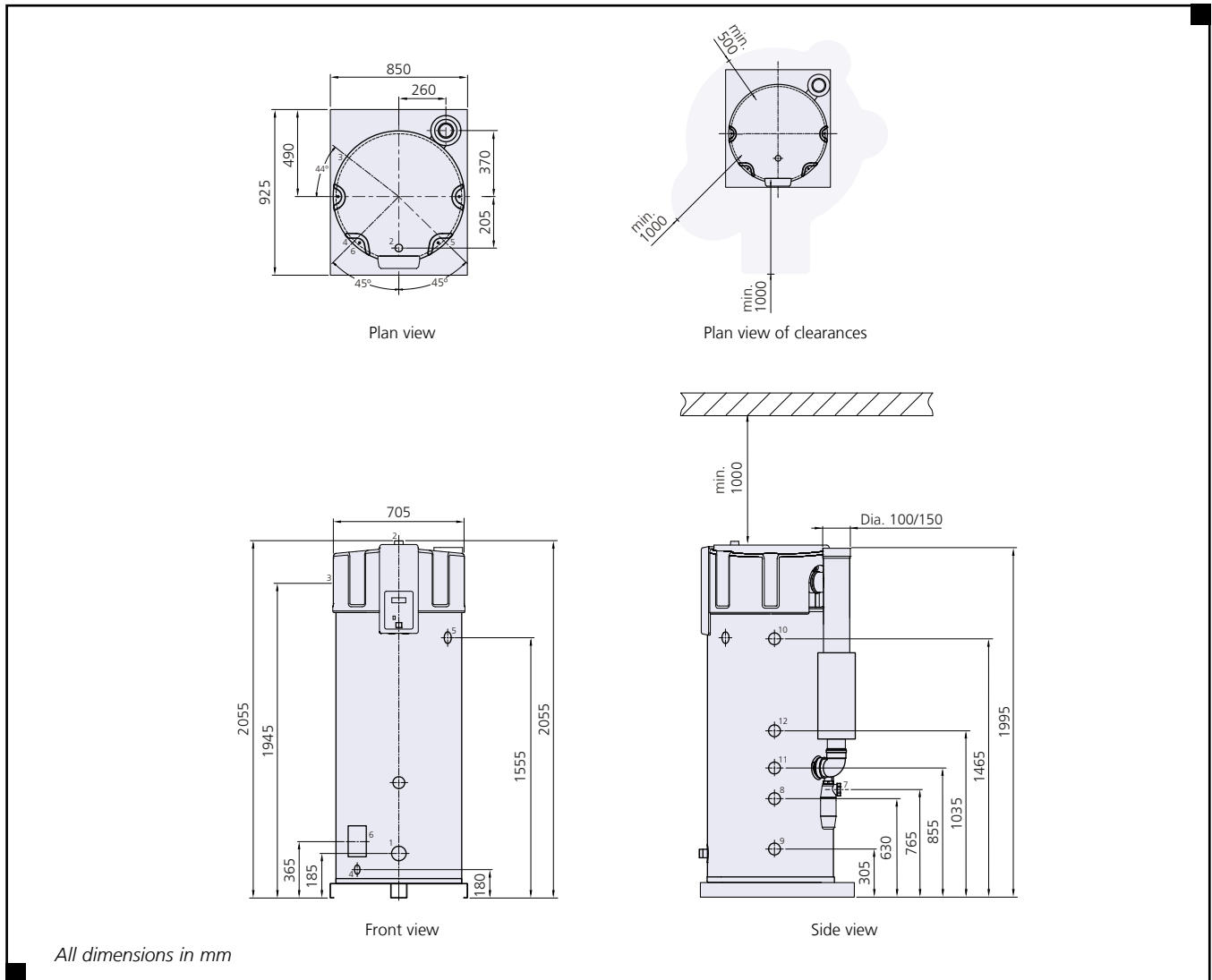


Dimensional Details

Dorchester DR-TC 40 and DR-TC 60



Ref.	Description	Unit	DR-TC 40 and DR-TC 60
1	Cold water inlet connection (male)	Inch	R 1½
2	Hot water outlet (male)	Inch	R 1½
3	Gas inlet connection (female)	Inch	Rp ¾
4	Drain valve connection (female)	Inch	¾"
5	T&P valve connection (female)	Inch	1" - 11.5 NPT
6	Cleaning/inspection opening	mm	95 x 70
7	Condensation drain connection (female)	Inch	Dia. 40
8	Coil inlet connection (female)	Inch	Rp 1
9	Coil outlet connection (female)	Inch	Rp 1
10	Blanked connector (female), not used	Inch	Rp 1
11	Blanked connector (female), not used	Inch	Rp 1
12	Hot water recirculation return inlet (female)	Inch	Rp 1