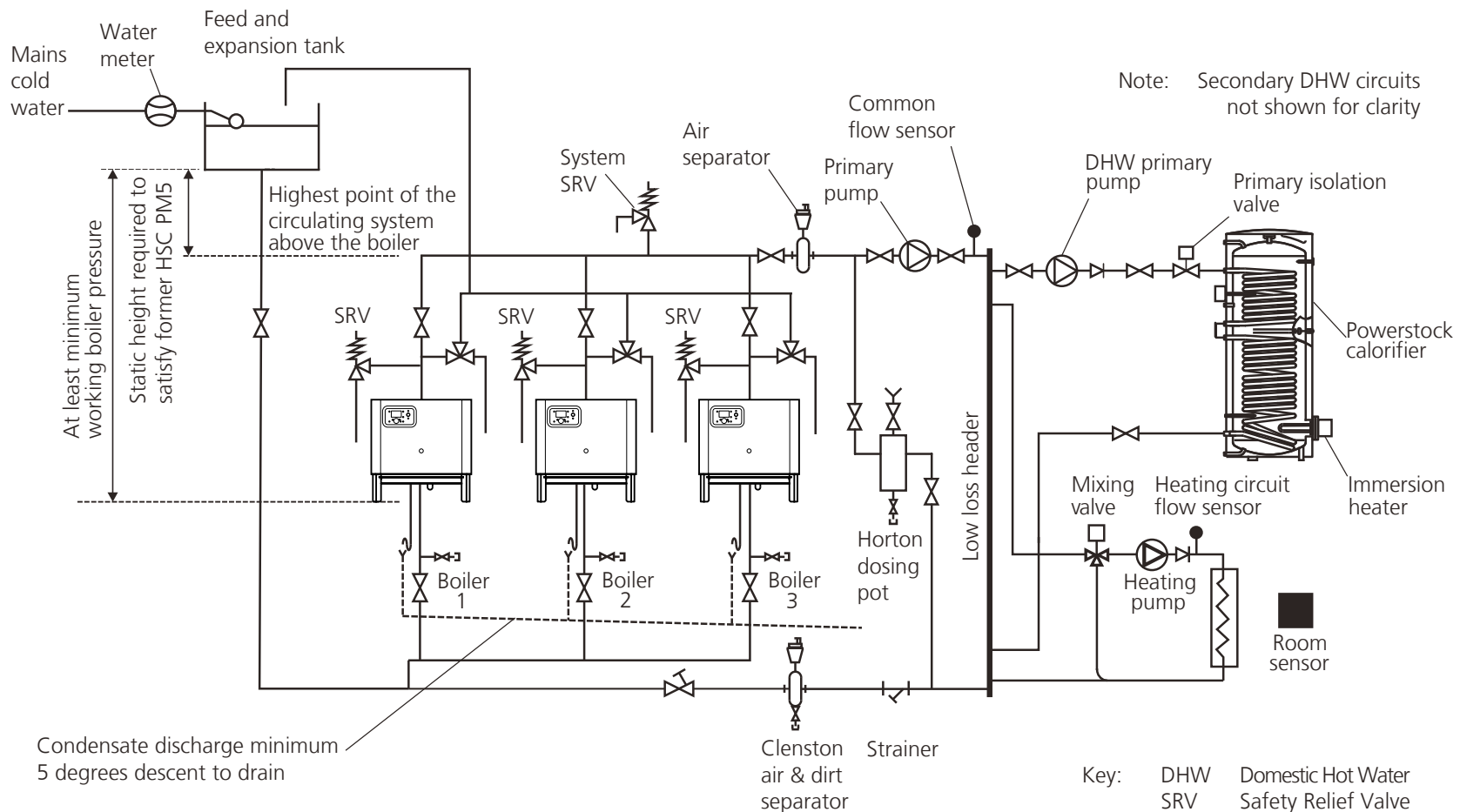


# Wessex ModuMax mk3 - Hydraulic scheme 1

**Scheme 1:** Open vented system with low loss header



*Note: These schematics have been provided for reference only.*

