

Technical data & dimensions

Powerstock calorifiers all models

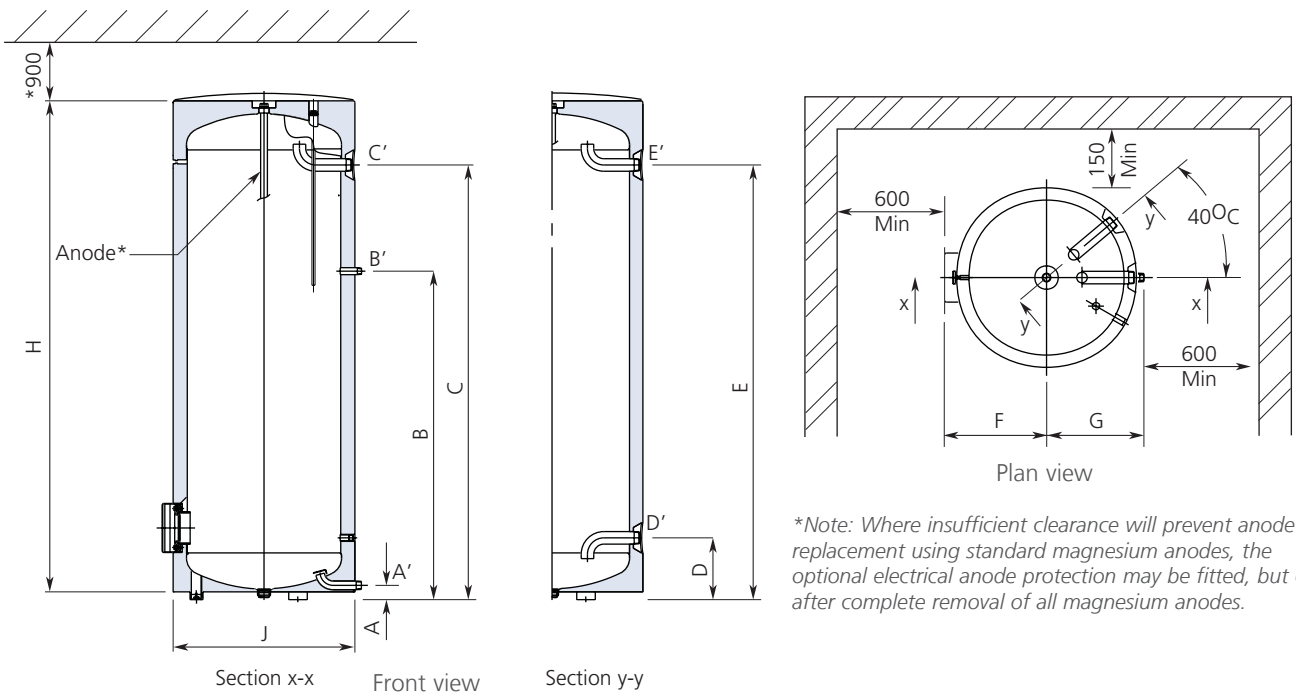
	Calorifier model	Units	PS160	PS200	PS300	PS400	PS500	PS750	PS1000
General data	ErP class		B	C	C	C	C	C	C
	Storage capacity	l	157	196	299	382	474	750	972
	Top coil surface area	m ²	N/A	N/A	0.8	1.05	1.3	1.17	1.12
	Top coil volume	l	N/A	N/A	6.6	7.0	8.9	8.2	7.9
	Bottom coil surface area	m ²	0.75	0.95	1.55	1.8	1.9	1.93	2.45
	Bottom coil volume	l	4.9	6.2	10.4	12.2	13.2	13.5	17.1
	Maximum operating pressure (primary - coil)	bar	10	10	10	10	10	10	10
	Maximum operating pressure (secondary - storage)	bar	10	10	10	10	10	10	10
	Maximum operating temperature (primary - coil)	°C	110	110	110	110	110	110	110
	Maximum operating temperature (secondary - storage)	°C	70	70	70	70	70	70	70
	Weight empty	kg	70	80	130	185	215	253	312
	Standby losses	kW/24hr	1.44	1.92	2.4	2.9	3.12	3.6	4.8
	Bottom coil only in operation	Continuous output*	l/h	501	600	816	976	1109	1062
l/min			8.35	10	13.6	16.2	18.48	17.7	21.35
Heat input		kW	29.2	35.6	48.4	57.9	65.7	63.0	76.0
10 min peak output*		l	250	362	448	615	771	1100	1197
Recovery time		min	20	20	22	24	26	42	46
Top and bottom coil connected in series	Continuous output*	l/h	N/A	N/A	1032	1285	1549	1432	1635
	Heat input	kW	N/A	N/A	61.2	76.2	91.8	85	97
	10 min peak output*	l	N/A	N/A	567	889	1077	1319	1483
	Recovery time	min	N/A	N/A	17	18	18	31	36
Electrical	Destratification pump power supply		230V 50Hz 1 Phase						
	Destratification pump power consumption	W	60	60	60	60	60	60	60
	Destratification pump current	A	0.35	0.35	0.35	0.35	0.35	0.35	0.35
	Electric anode power supply		230V 50Hz 1 Phase						
	Electric anode power consumption	W	23	23	23	23	23	23	23
	Electric anode current	A	0.1	0.1	0.1	0.1	0.1	0.1	0.1

*Calorifier performance is based on a DHW flow temperature of 60°C, with a cold water inlet temperature of 10°C, and a primary inlet temperature of 80°C. For details of pressure loss and flow rates at different temperatures, please refer to page 6.

Technical data & dimensions

Storage tanks ST300 & ST500

Storage tank model		Units	ST300	ST500
General data	ErP class		C	C
	Storage capacity	l	300	478
	Maximum operating pressure	bar	10	10
	Maximum operating temperature	°C	95	95
	Weight empty	kg	87	111
	Standby losses	kW/24h	2.4	3.12
Electrical	Destratification pump power supply		230V 50Hz 1 Phase	
	Destratification pump power consumption	W	60	60
	Destratification pump current	A	0.35	0.35
	Electric anode power supply		230V 50Hz 1 Phase	
	Electric anode power consumption	W	23	23
	Electric anode current	A	0.1	0.1



*Note: All dimensions in mm unless otherwise stated.

Model	Dimensions (mm)								
	A	B	C	D	E	F	G	H	J
ST300	90	1180	1546	272	1546	340	327	1794	600
ST500	55	1265	1674	238	1674	392	375	1921	700

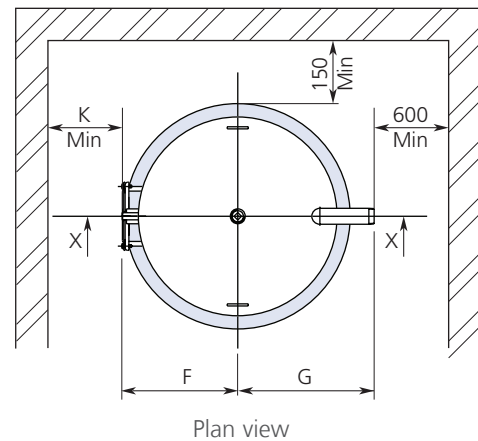
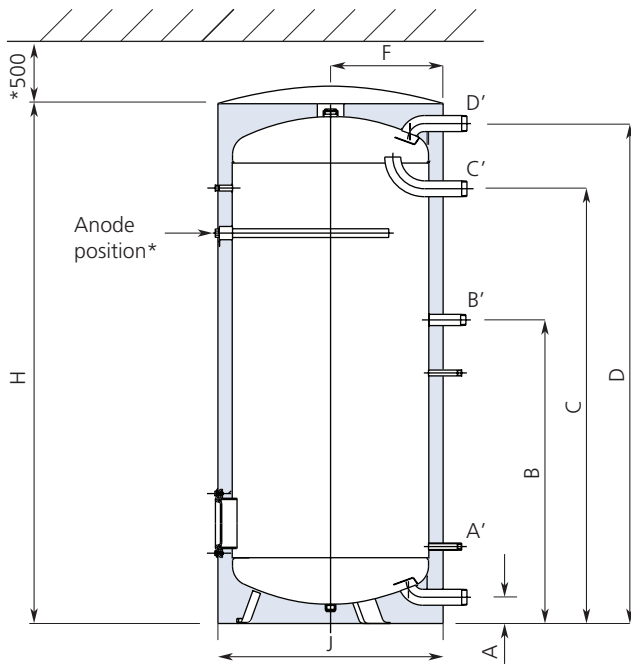
Model	Connections diameter (inches)				
	A'	B'	C'	D'	E'
	Cold water inlet	Hot water inlet (from DHW circulation return)	Hot water outlet (to DHW outlets)	Tank charging outlet (to calorifier)*	Tank charging inlet (from calorifier)*
ST300	R 1"	R 3/4"	R 1 1/2"	R 1 1/2"	R 1 1/2"
ST500	R 1"	R 3/4"	R 1 1/2"	R 1 1/2"	R 1 1/2"

*Note: The charging inlet and outlet are the supply and recirculation connections respectively from and to a separate heating source such as a calorifier, direct-fired water heater or plate heat exchanger.

Technical data & dimensions

Storage tanks ST750 & ST1000

Storage tank model		Units	ST750	ST1000
General data	ErP class		C	C
	Storage capacity	l	750	981
	Maximum operating pressure	bar	10	10
	Maximum operating temperature	°C	95	95
	Weight empty	kg	217	283
	Standby losses	kW/24h	3.6	4.8
Electrical	Destratification pump power supply		230V 50Hz 1 Phase	
	Destratification pump power consumption	W	60	60
	Destratification pump current	A	0.35	0.35
	Electric anode power supply		230V 50Hz 1 Phase	
	Electric anode power consumption	W	23	23
	Electric anode current	A	0.1	0.1



*Note: Where insufficient clearance will prevent replacement of standard magnesium sacrificial anodes, the optional electrical anode protection kit may be fitted.

*Note: All dimensions in mm unless otherwise stated.

Model	Dimensions (mm)								
	A	B	C	D	F	G	H	J	K
ST750	100	1147	1642	1893	507	515	2030	950	600
ST1000	100	1155	1650	1910	557	565	2030	1050	700

Model	Connections diameter (inches)			
	A'	B'	C'	D'
	Tank charging outlet (to calorifier)*	Hot water inlet (from DHW circulation return)	Hot water outlet (to DHW outlets)	Tank charging inlet (from calorifier)*
ST750	R 2"	R 1 1/4"	R 2"	R 2"
ST1000	R 2"	R 1 1/4"	R 2"	R 2"

*Note: The charging inlet and outlet are the supply and recirculation connections respectively from and to a separate heating source such as a calorifier, direct-fired water heater or plate heat exchanger.