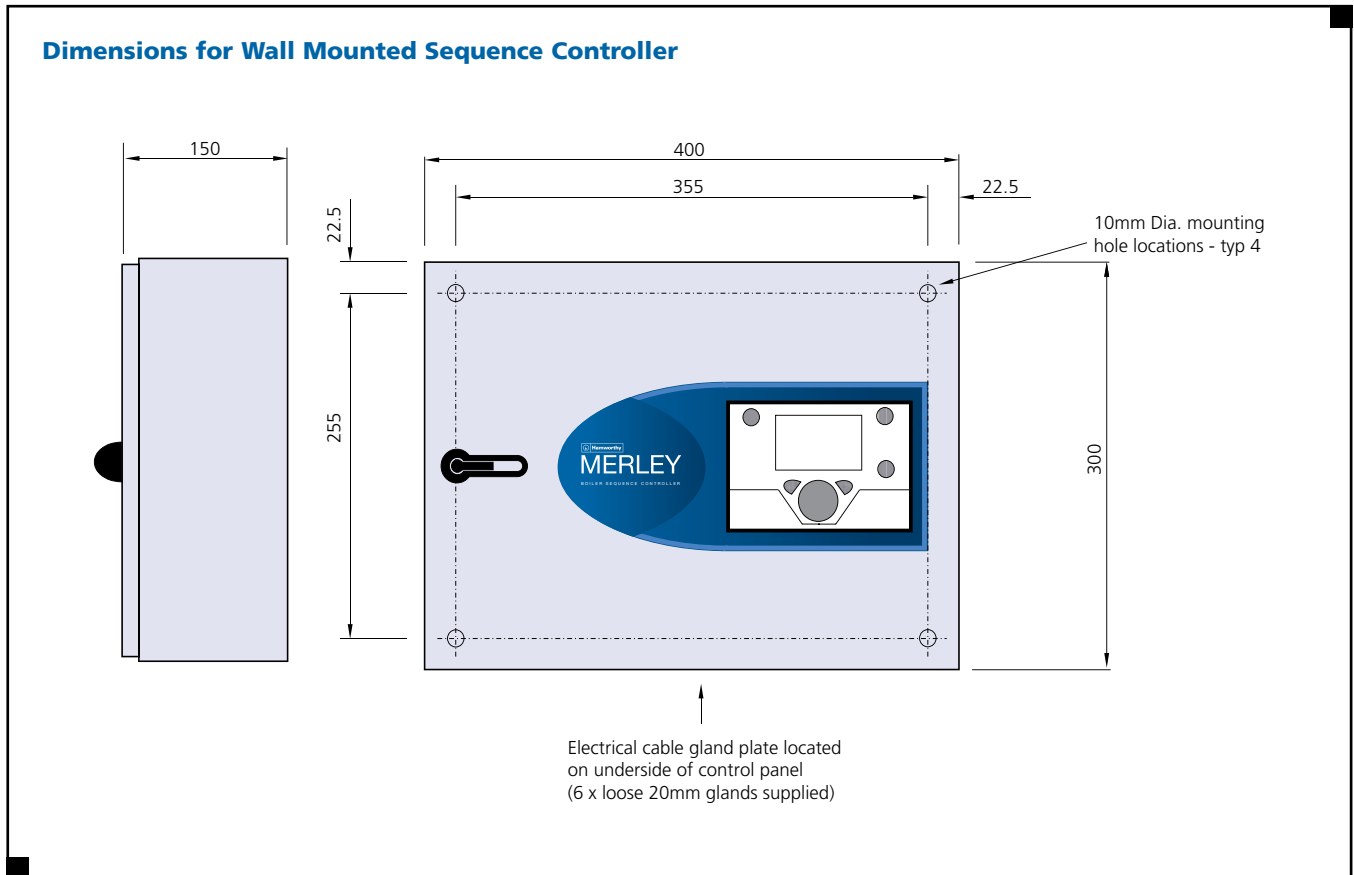


Dimensional Details

Merley Boiler Sequence Controller



Wall Mounted Sequence Controller

The wall mounted version of the sequence controller is supplied factory assembled within a steel enclosure panel with hinged door. The fascia display unit is mounted and connected to the sequence controller via the ribbon cable. The wall mounted unit includes:

- Steel wall enclosure with hinged door
- Factory mounted sequence controller to DIN rail
- Electrical trunking for routing wiring
- Immersion flow temperature sensor and ½" pocket
- Gland plate with 6 loose 20mm cable glands

Electrical trunking is supplied within the enclosure for routing of site cable to the electrical terminations of the sequence controller. No internal wiring is supplied.

Note: With both the wall mounted sequence controller kit and the loose sequence controller kit it is important to specify an external air sensor. This sensor is available in hard wired and wireless versions. When selecting the wireless version, a radio module must also be specified and possibly additional radio repeater modules. *For more details regarding wireless connection please see page 9*

Loose Sequence Controller Kit

The loose version of the sequence controller is supplied in kit form for fitting within a control panel, either new or existing within the plant room. The kit includes:

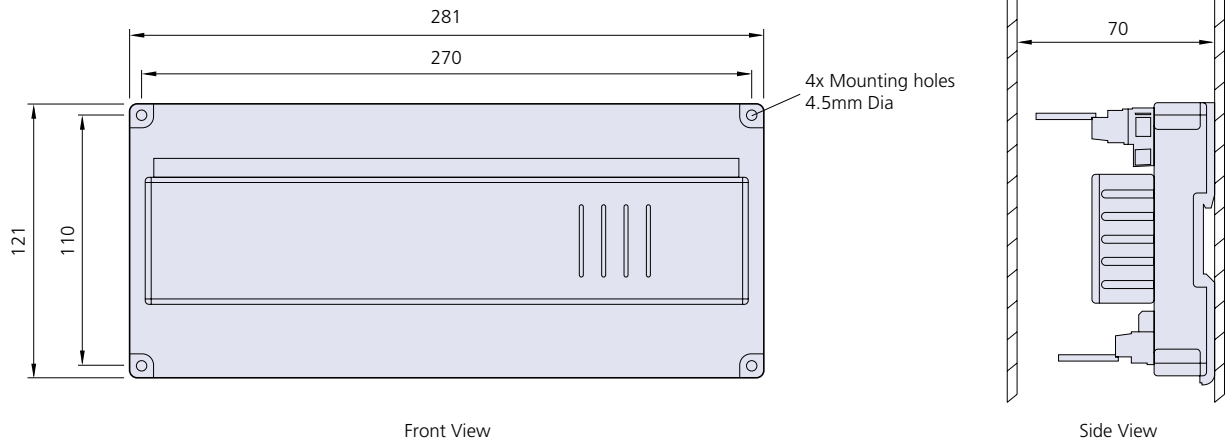
- Sequence controller suitable for DIN rail mounting
- Digital display unit requiring provision of suitable cut-out in control panel door
- 1 metre ribbon cable for connecting digital display unit to sequence controller
- Immersion flow temperature sensor and ½" pocket

Note: Sufficient space must be allocated within the site control panel for fitting sequence controller to the back plate as well as for mounting the digital interface panel to the door. The digital interface display is provided with a 1 metre cable for connecting to the sequence controller.

Dimensional Details

Merley Loose Kit

Dimensions for Loose Sequence Controller



Dimensions for Digital Display Unit

