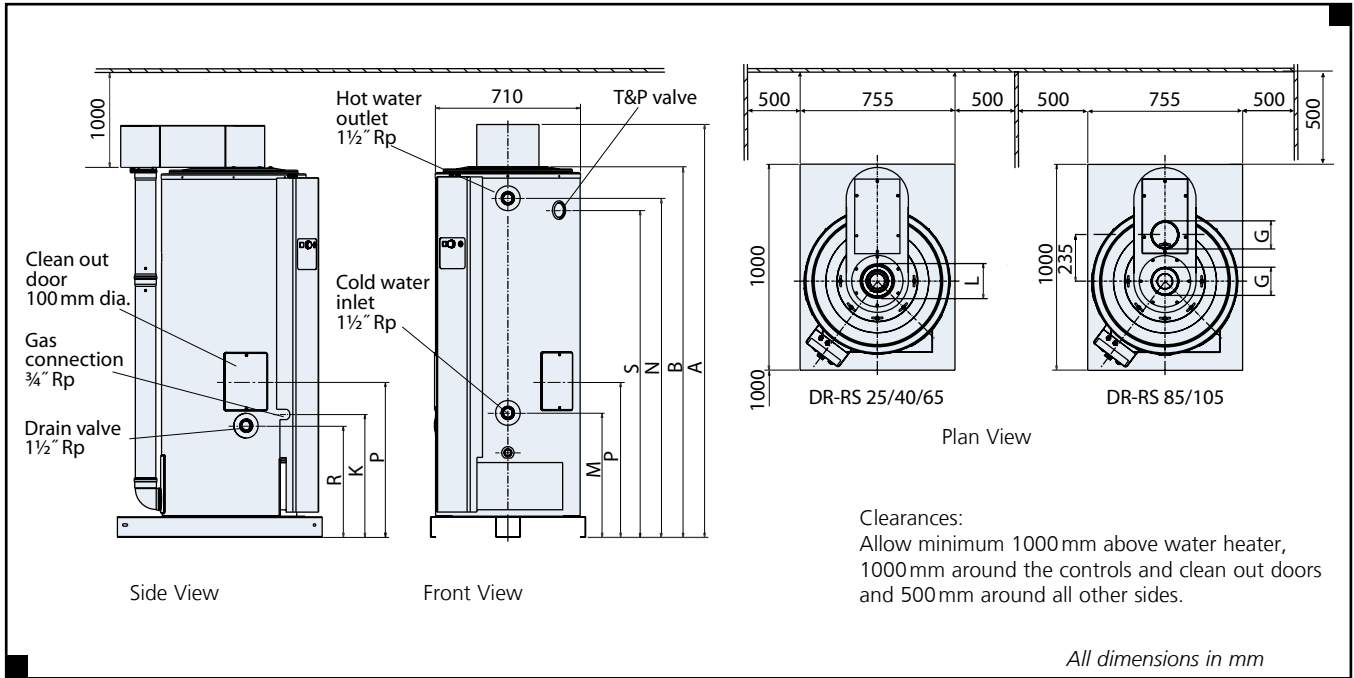


Dimensional Details

Dorchester DR-RS Dimensions and Clearances



Ref	Dimensions	Units	Dorchester DR-RS Model				
			DR-RS 25	DR-RS 40	DR-RS 65	DR-RS 85	DR-RS 105
A	Total height	mm	2000		2020		
B	Cylinder height	mm	1800		1820		
G	Twin duct flue and air spigot diameters	mm	n/a			2 x 130 dia.	
K	Gas inlet connection height/(size)	mm/(inch)	600 (Rp 3/4" female)				760 (Rp 1" female)
L	Concentric flue/air spigot diameters	mm	80/125	100/150	130/200	n/a	
M	Cold water inlet connection height/(size)	mm/(inch)	600 (R 1 1/2" male)		590 (R 1 1/2" male)		
N	Hot water outlet connection height/(size)	mm/(inch)	1640 (Rp 1 1/2" female)		1655 (Rp 1 1/2" female)		
P	Inspection opening height/(diameter)	mm/(inch)	770 (100 dia.)			760 (100 dia.)	
R	Drain connection height/(size)	mm/(inch)	550 (Rp 1 1/2" female)		540 (Rp 1 1/2" female)		
S	Temperature and pressure relief valve connection height/(size)	mm/(inch)	1600 (1"-11.5 t.p.i. NPT female)		1600 (Rp 1 1/2" female)		

Air Supply and Ventilation

An adequate supply of fresh air for combustion and ventilation must be provided in accordance with BS5440 (<70 kW Net) and BS6644 (>70 kW Net). For room-sealed Dorchester DR-RS water heaters the air supply referenced here is for ventilation only.

The minimum recommended ventilation areas for high and low level vents depends on the kW net input, and must be calculated using the factors quoted in BS5440 and BS6644 as appropriate. The kW net input factor quoted refers to the sum of the net heat inputs of all gas fired appliances in the plant room or compartment.

To calculate minimum vent areas for high and low-positioned vents in compartment installations:

- If vents are open to outside air, use a factor of 5 cm² per kW net input for both high and low level vents.
- If vents are to room or internal space, use a factor of 10 cm² per kW net input for both high and low level vents.

For plant room installations with a total net heat input greater than 70 kW, and vents are open to outside air, then use a factor of 2 cm² per kW net input for both high and low level vents.