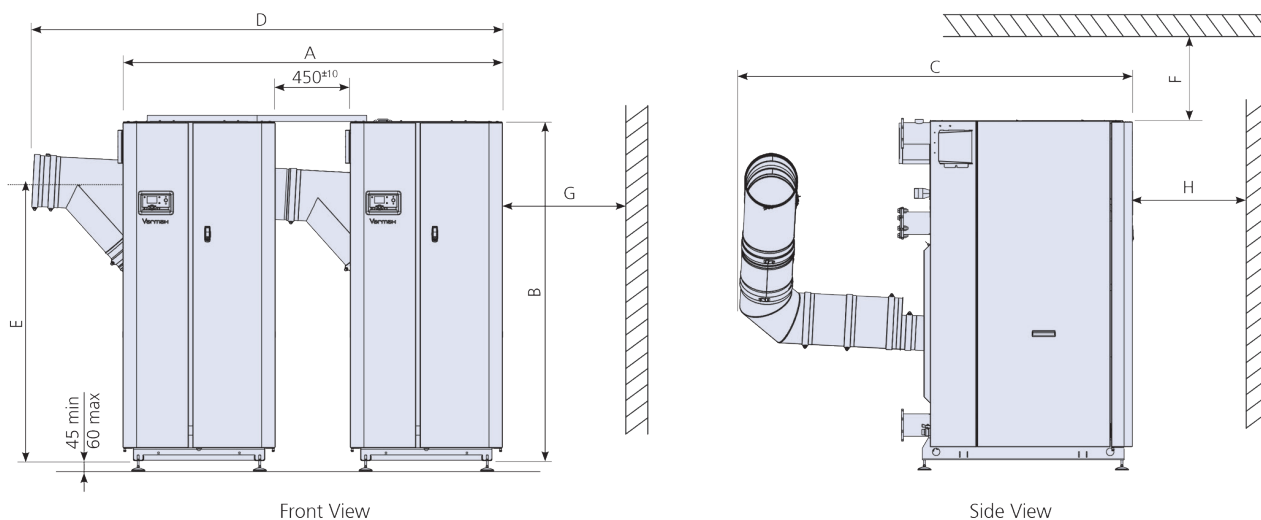


8
MODELS **127-478**
kW
OUTPUT

Varmax dual boiler dimensions

Dual boiler models 550, 640, 780, 900



Note: All dimensions in mm unless otherwise stated.

Ref.		Varmax models				
		Units	550	640	780	900
A	Overall installed boilers width	mm	2059	2059	2259	2259
B	Boiler height	mm	1877	1877	2023	2023
C	Overall installed boilers depth	mm	2032	2032	2114	2114
D	Overall installed boilers width including flue header	mm	2519	2519	2749	2749
E	Flue header centreline height	mm	1500	1500	1590	1590
	Flue header connection diameter	mm	250	250	300	300
F	Clearance top (for burner removal)	mm	263	263	427	427
G	Clearance side (left and right)	mm	450	450	450	450
H	Clearance front	mm	600	600	700	700
	Clearance rear (behind flue header)	mm	150	150	150	150

Note: For all other boiler dimensions refer to the dimensions page for single boilers (page 5).