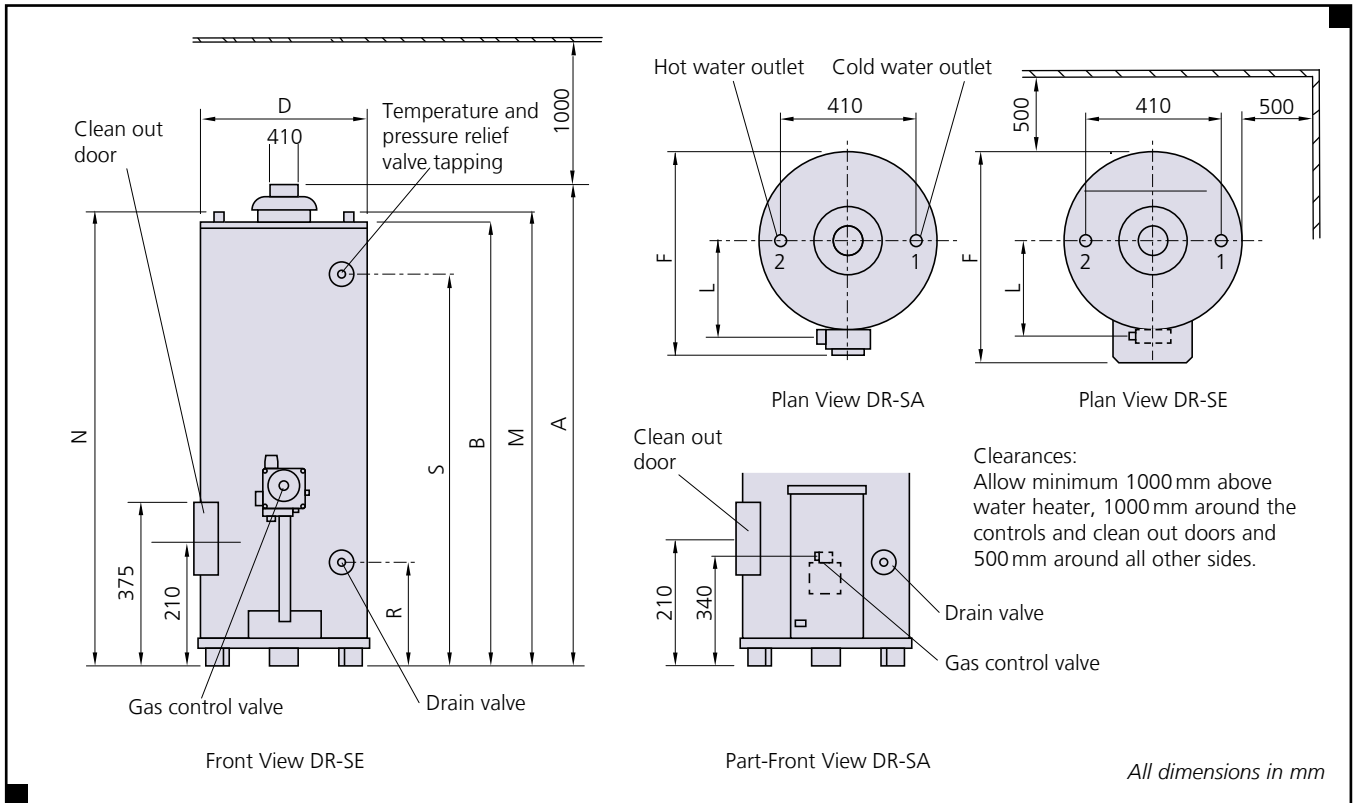


Dimensional Details

Dorchester DR-SA & DR-SE Dimensions and Clearances



Ref	Dimensions	Units	Dorchester DR-SA/SE Model			
			DR-SA 16	DR-SE 16	DR-SA 19	DR-SE 19
A	Total height	mm	1585		1780	
B	Cylinder height	mm	1450		1640	
D	Water heater diameter	mm	645		675	
F	Depth	mm	770	735	775	765
L	Gas control valve position	mm	355		370	
M	Cold water inlet connection height/(size)	mm/(inch)	1505 (1"-11.5 NPT male)		1685 (1¼"-11.5 NPT male)	
N	Hot water outlet connection height/(size)	mm/(inch)	1505 (1"-11.5 NPT male)		1685 (1¼"-11.5 NPT male)	
R	Drain valve connection height/(size)	mm/(inch)	285 (¾" -14 NPT female)			
S	T & P valve connection height/(size).	mm/(inch)	1280 (¾" -14 NPT female)		1460 (¾" -14 NPT female)	
	Gas inlet connection size	inch	Rp ½" female			

Air Supply and Ventilation

An adequate supply of fresh air for combustion and ventilation must be provided in accordance with BS5440 (<70kW Net) and BS6644 (>70kW Net). Air supply and ventilation must be sized for the entire plant, with calculations based on the combined net heat input of all gas fired appliances within the plant room or compartment.

Compartment Ventilation – Open Flue	Plant Room Ventilation – Open Flue
Direct to outside air	Direct to outside air
High level–5cm ² /kW net input	High level–2cm ² /kW net input
Low level–10cm ² /kW net input	Low level–4cm ² /kW net input