

*Notes:

1. Where insufficient clearance will prevent replacement of standard magnesium sacrificial anodes, the optional electrical anode protection kit may be fitted.
2. Clearance required above for anode removal, 750 & 1000 litre vessels - 1300mm.

Model	Dimensions (mm)										
	A	B	C	D	E	F	G	H	J	K	L
PS160	55	193	598	N/A	734	N/A	1110	1184	540	312	295
PS200	55	193	688	N/A	901	N/A	1370	1445	540	312	295
PS300	90	254	964	1064	1179	1424	1725	1794	600	352	335
PS400	55	221	909	1007	1112	1355	1526	1591	700	392	375
PS500	55	220	965	1114	1264	1604	1853	1921	700	392	375
PS750	105	293	835	1156	1246	1471	1890	2030	950	507	515
PS1000	106	297	884	1153	1243	1423	1905	2030	1050	557	565

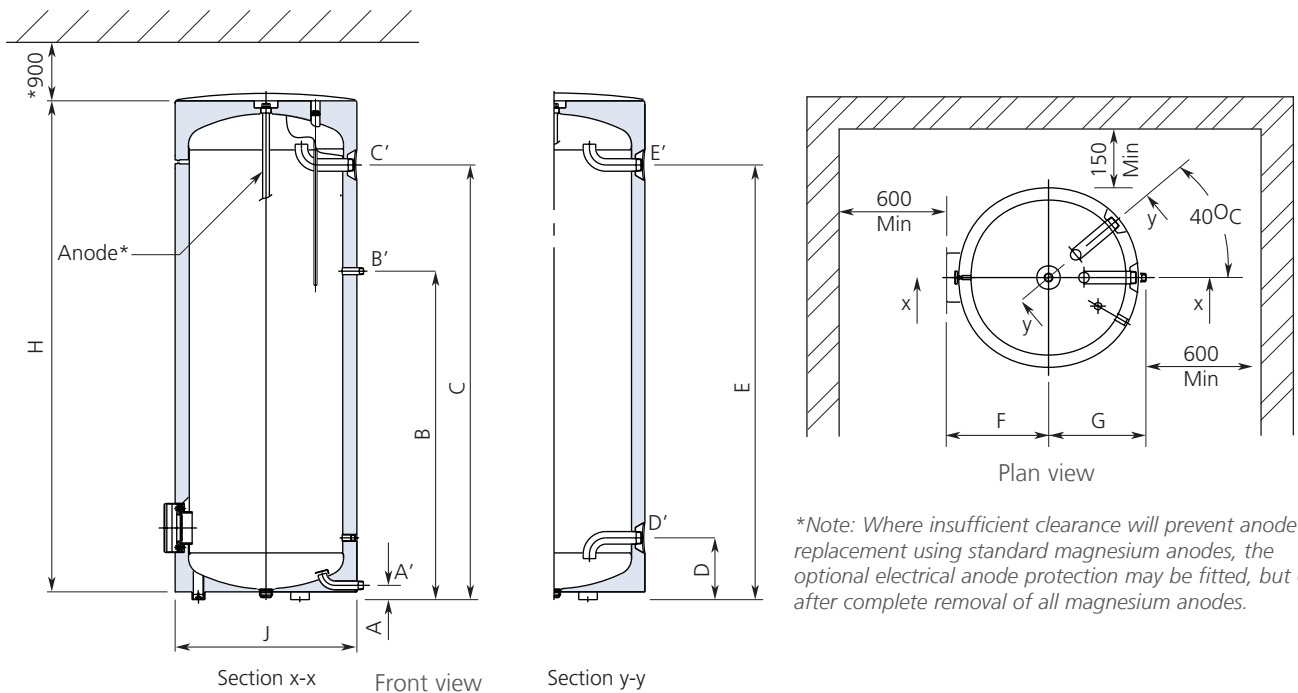
Model	Connections diameter (inches)						
	A'	B'	C'	D'	E'	F'	G'
	Cold water feed	Lower primary coil outlet	Lower primary coil inlet	Upper primary coil outlet	Recirculation connection	Upper primary coil inlet	Hot water outlet
PS160	R ¾"	R 1"	R 1"	N/A	R ¾"	N/A	R ¾"
PS200	R ¾"	R 1"	R 1"	N/A	R ¾"	N/A	R ¾"
PS300	R 1"	R 1"	R 1"	R 1"	R ¾"	R 1"	R 1"
PS400	R 1"	R 1"	R 1"	R 1"	R ¾"	R 1"	R 1"
PS500	R 1"	R 1"	R 1"	R 1"	R ¾"	R 1"	R 1"
PS750	R 1¼"	R 1"	R 1"	R 1"	R ¾"	R 1"	R 1¼"
PS1000	R 1¼"	R 1"	R 1"	R 1"	R ¾"	R 1"	R 1¼"

*Note: All dimensions in mm unless otherwise stated.

Technical data & dimensions

Storage tanks ST300 & ST500

Storage tank model		Units	ST300	ST500
General data	ErP class		C	C
	Storage capacity	l	300	478
	Maximum operating pressure	bar	10	10
	Maximum operating temperature	°C	95	95
	Weight empty	kg	87	111
	Standby losses	kW/24h	2.4	3.12
Electrical	Destratification pump power supply		230V 50Hz 1 Phase	
	Destratification pump power consumption	W	60	60
	Destratification pump current	A	0.35	0.35
	Electric anode power supply		230V 50Hz 1 Phase	
	Electric anode power consumption	W	23	23
	Electric anode current	A	0.1	0.1



*Note: All dimensions in mm unless otherwise stated.

Model	Dimensions (mm)								
	A	B	C	D	E	F	G	H	J
ST300	90	1180	1546	272	1546	340	327	1794	600
ST500	55	1265	1674	238	1674	392	375	1921	700

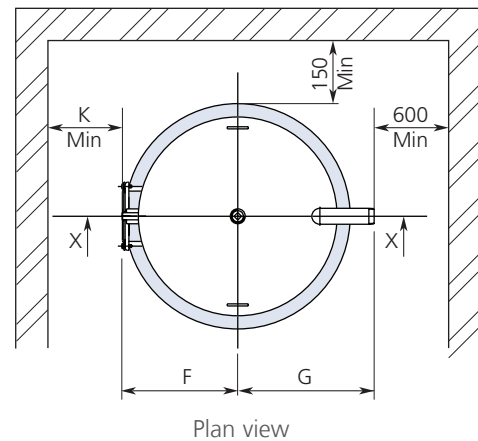
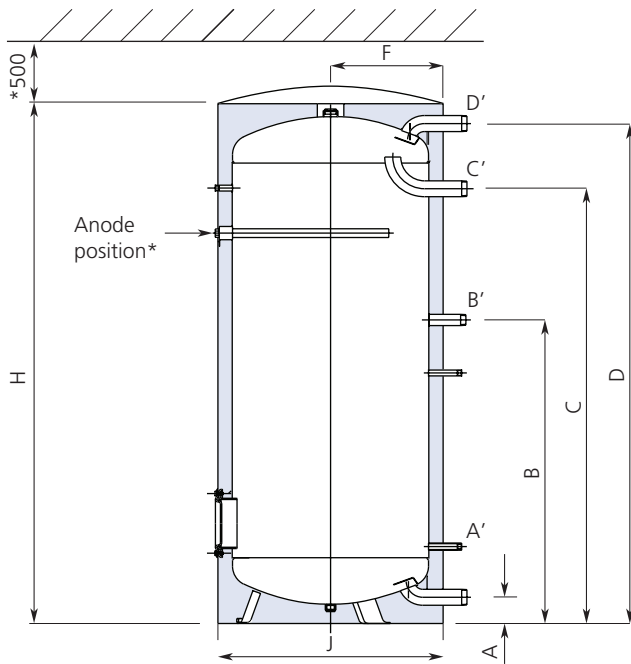
Model	Connections diameter (inches)				
	A'	B'	C'	D'	E'
	Cold water inlet	Hot water inlet (from DHW circulation return)	Hot water outlet (to DHW outlets)	Tank charging outlet (to calorifier)*	Tank charging inlet (from calorifier)*
ST300	R 1"	R 3/4"	R 1 1/2"	R 1 1/2"	R 1 1/2"
ST500	R 1"	R 3/4"	R 1 1/2"	R 1 1/2"	R 1 1/2"

*Note: The charging inlet and outlet are the supply and recirculation connections respectively from and to a separate heating source such as a calorifier, direct-fired water heater or plate heat exchanger.

Technical data & dimensions

Storage tanks ST750 & ST1000

Storage tank model		Units	ST750	ST1000
General data	ErP class		C	C
	Storage capacity	l	750	981
	Maximum operating pressure	bar	10	10
	Maximum operating temperature	°C	95	95
	Weight empty	kg	217	283
	Standby losses	kW/24h	3.6	4.8
Electrical	Destratification pump power supply		230V 50Hz 1 Phase	
	Destratification pump power consumption	W	60	60
	Destratification pump current	A	0.35	0.35
	Electric anode power supply		230V 50Hz 1 Phase	
	Electric anode power consumption	W	23	23
	Electric anode current	A	0.1	0.1



*Note: Where insufficient clearance will prevent replacement of standard magnesium sacrificial anodes, the optional electrical anode protection kit may be fitted.

*Note: All dimensions in mm unless otherwise stated.

Model	Dimensions (mm)								
	A	B	C	D	F	G	H	J	K
ST750	100	1147	1642	1893	507	515	2030	950	600
ST1000	100	1155	1650	1910	557	565	2030	1050	700

Model	Connections diameter (inches)			
	A'	B'	C'	D'
	Tank charging outlet (to calorifier)*	Hot water inlet (from DHW circulation return)	Hot water outlet (to DHW outlets)	Tank charging inlet (from calorifier)*
ST750	R 2"	R 1 1/4"	R 2"	R 2"
ST1000	R 2"	R 1 1/4"	R 2"	R 2"

*Note: The charging inlet and outlet are the supply and recirculation connections respectively from and to a separate heating source such as a calorifier, direct-fired water heater or plate heat exchanger.