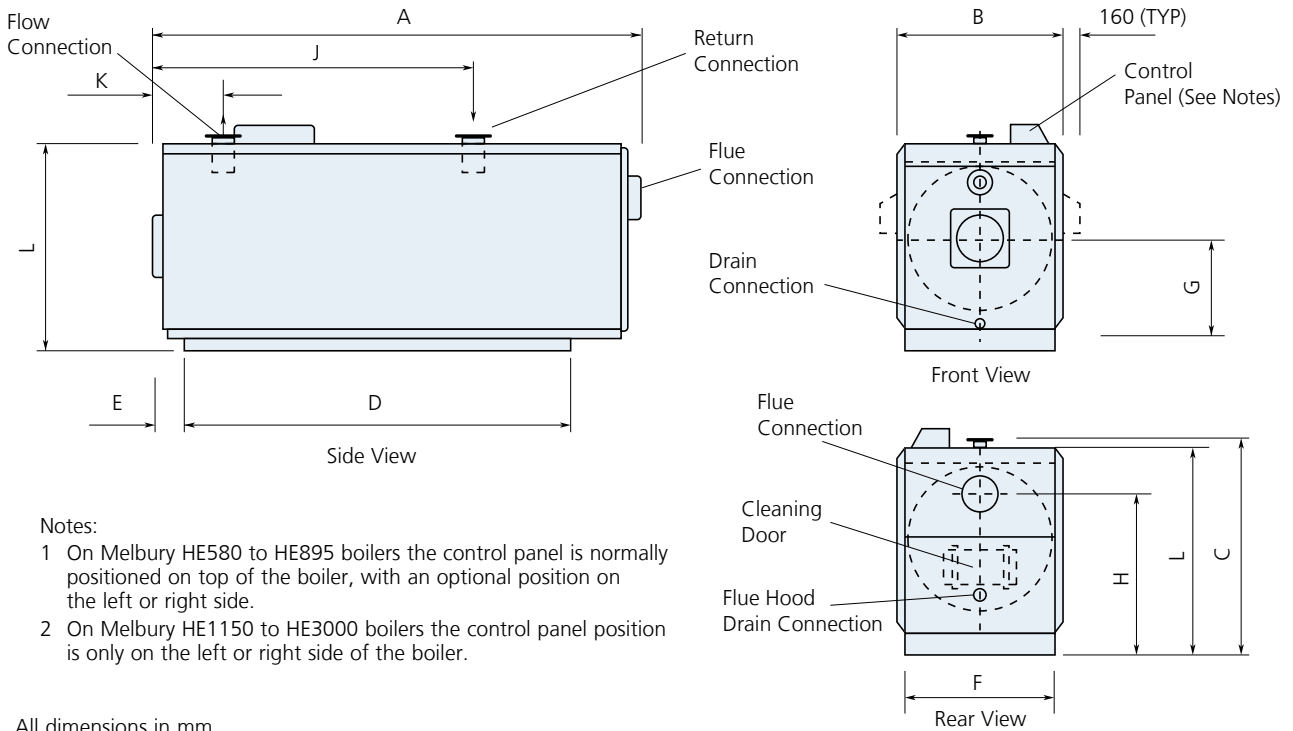


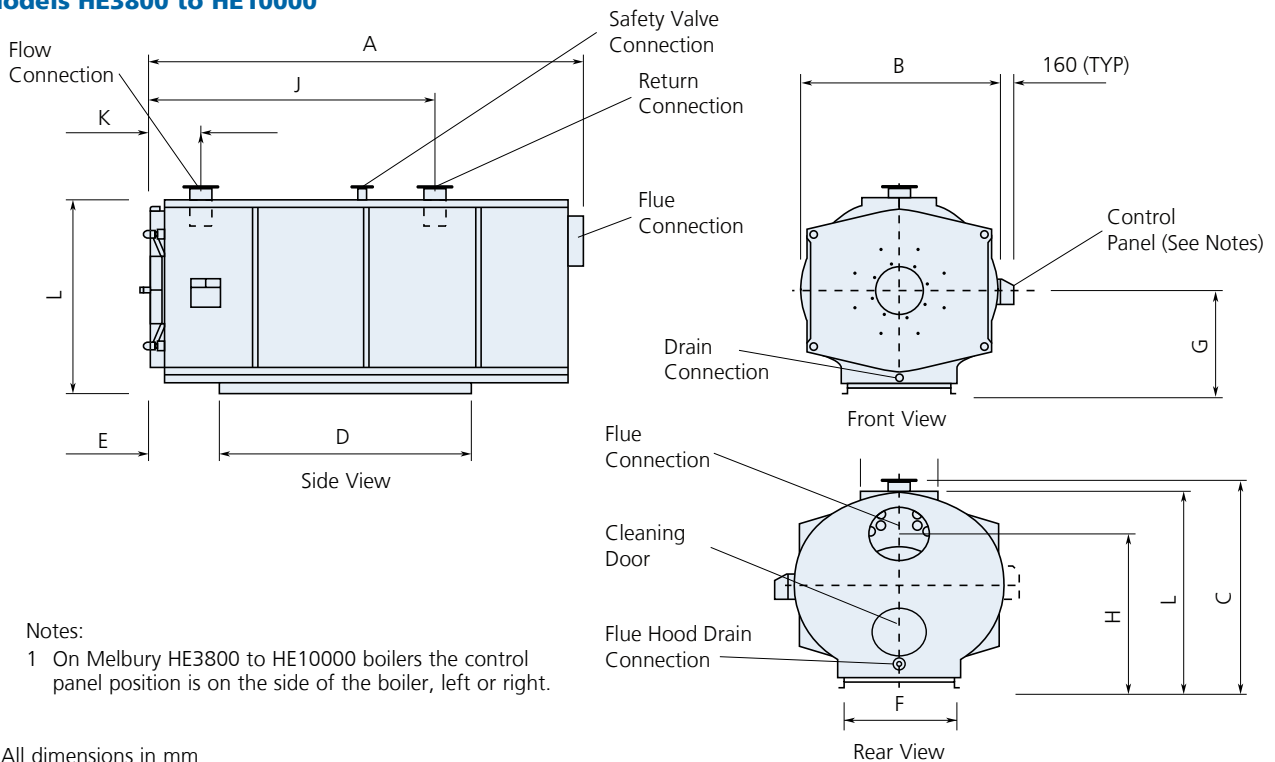
# Dimensional Details

## Melbury HE Boilers

### Models HE530 to HE3000



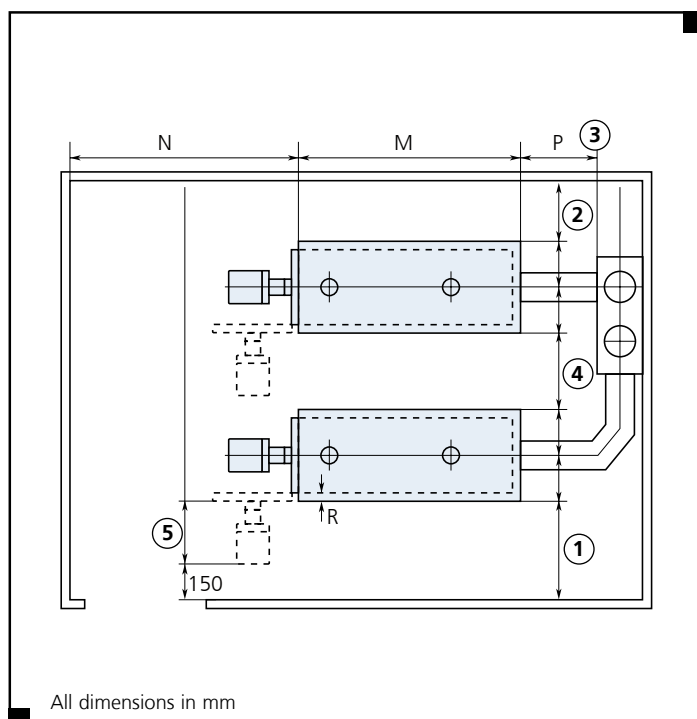
### Models HE3800 to HE10000



# Dimensional Details

## Melbury HE Boilers

Model	Dimensions															
	Overall Length	Casing Width	Overall Height	Frame Length	Frame Position	Frame Width	Burner Centreline	Flue Height	Return Connection	Flow Connection	Casing Height	Boiler Shell Length	Front Clearance	Rear Clearance	Side Clearance	Door Offset
	A	B	C	D	E	F	G	H	J	K	L	M	N	P	Q	R
MHE 530	2125	1120	1370	1580	145	1000	640	950	1100	150	1290	1880	1600	1000	600	5
MHE 580	2240	1180	1450	1695	145	1060	690	1000	1100	150	1370	1995	1700	1000	600	0
MHE 630	2240	1180	1450	1695	145	1060	690	1000	1100	150	1370	1995	1700	1000	600	0
MHE 700	2460	1250	1535	1880	145	1130	740	1055	1350	200	1455	2215	1900	1000	600	5
MHE 800	2460	1250	1535	1880	145	1130	740	1055	1350	200	1455	2215	1900	1000	600	5
MHE 895	2565	1330	1625	1975	145	1210	790	1115	1350	200	1545	2320	2000	1000	600	0
MHE 1150	2939	1420	1730	2314	145	1300	840	1200	1731	238	1650	2714	2300	1000	600	0
MHE 1300	2939	1420	1730	2314	145	1300	840	1200	1731	238	1650	2714	2300	1000	600	0
MHE 1650	3354	1495	1805	2674	200	1375	875	1275	2001	274	1725	3074	2700	1000	600	30
MHE 1900	3564	1565	1870	2854	200	1445	905	1315	2136	292	1790	3284	2800	1150	1000	30
MHE 2500	3846	1690	1990	3096	200	1570	965	1410	2318	318	1910	3566	3100	1150	1000	30
MHE 3000	4131	1765	2080	3356	200	1645	1015	1470	2512	344	2000	3851	3000	1150	1000	30
MHE 3800	4670	1970	2235	2700	770	1150	1110	1660	2920	390	2105	4350	3800	1150	1000	15
MHE 4500	4910	2170	2450	2850	810	1290	1225	1850	3087	410	2320	4590	4000	1150	1000	15
MHE 5400	5310	2280	2565	3200	820	1350	1285	1940	3370	450	2435	4990	4400	1150	1000	15
MHE 6300	5771	2560	2870	4110	212	1520	1450	2120	3655	495	2740	5409	4800	1150	1000	42
MHE 7400	6221	2710	3025	4510	212	1610	1530	2280	3970	540	2895	5859	5200	1150	1000	42
MHE 8600	6763	2810	3135	4912	212	1670	1590	2390	4330	590	3005	6401	5700	1150	1000	42
MHE 10000	7364	2900	3230	5412	212	1730	1640	2460	4765	645	3100	7002	6200	1150	1000	42



All dimensions in mm

### Clearances for Access & Maintenance

Notes:

- ① The boiler door including burner should be able to swing open through 90° providing access to the burner head and combustion chamber for cleaning and maintenance
- ② Minimum space between boiler and wall is 200mm, however access to control panel will be required, if handed as shown. Burner clearance will be required if door handing is opposite to that shown.
- ③ Clearance required for access to the rear cleaning door.
- ④ A minimum distance of 200mm must be maintained between boiler casings, depending on chosen position for the control panel. If the door handing is as shown, then it should be noted that burner lengths vary by model, and this distance may need increasing.
- ⑤ Burner lengths vary by model.

Please contact our technical department for further assistance. Tel: 01202 662500.