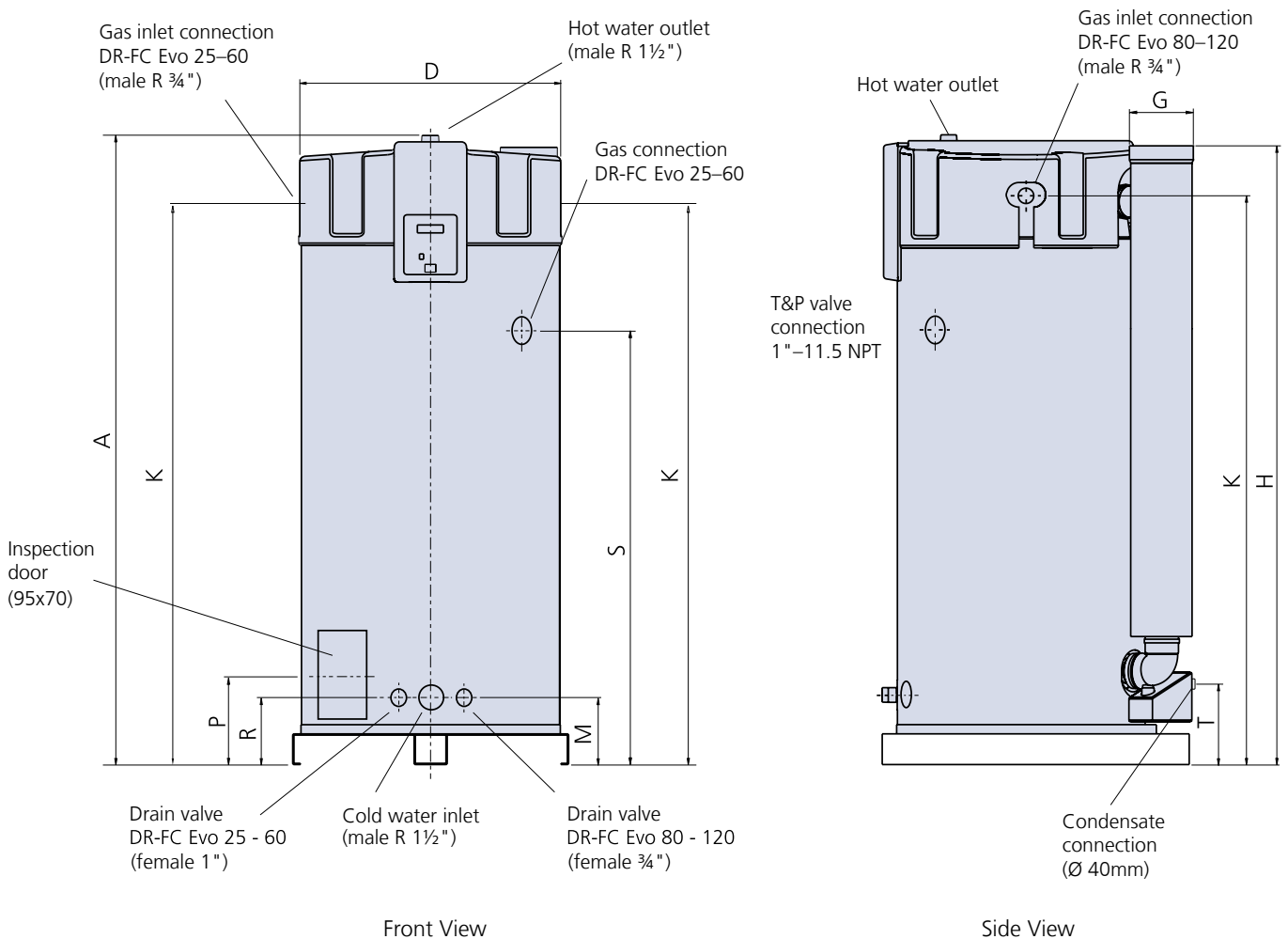


Dimensions

Dorchester DR-FC Evo

Ref.	Dimensions/mm	Water heater model						
		DR-FC Evo 25	DR-FC Evo 30	DR-FC Evo 45	DR-FC Evo 60	DR-FC Evo 80	DR-FC Evo 95	DR-FC Evo 120
A	Total height	1485	2015	2015	2015	2060	2060	2060
D	Water heater diameter	705	705	705	705	850	850	850
G	Diameter for flue gas discharge	100/150	100/150	100/150	100/150	130/200	130/200	130/200
H	Height of flue gas outlet/air supply	1460	1980	1980	1980	1995	1995	1995
K	Height of gas connection	1380	1910	1910	1910	1855	1855	1855
M	Height of cold water inlet	265	255	255	255	225	225	225
N	Height of hot water outlet	1485	2015	2015	2015	2060	2060	2060
P	Height of cleaning opening	265	270	270	270	290	290	290
R	Height of drain valve connection	180	170	170	170	225	225	225
S	Height of T&P valve connection	995	1505	1505	1505	1425	1425	1425
T	Height of condensation drain	245	245	245	245	240	240	240



Note: All dimensions in mm unless otherwise stated.